



ANGEL ARMOR®

PROTECTION AT A HIGHER LEVEL®

# AVAIL®

## VEHICLE ARMOR

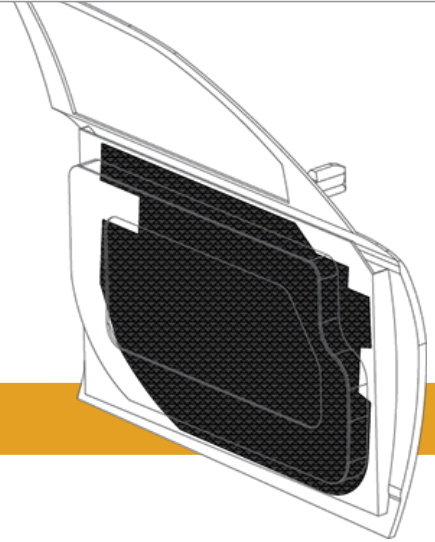
CONFIDENCE YOU CAN STAND BEHIND



ANGELARMOR.COM

# AVAIL®

## BALLISTIC DOOR PANELS



TURN YOUR DOORS INTO SHIELDS®

### NIJ LEVEL IIIA

#### INNOVATIVE DESIGN

- Fastest installation in the industry
- Weights less than 8 pounds • 4 kg
- Semi-rigid, 0.20 inch • 0.50 cm thin panels
- Totally concealed, weatherproof design

#### POWERFUL PROTECTION

- Revolutionary ballistic technology exceeds NIJ standards
- Multi-round defense from the most prevalent threats

#### OPTIMIZED COVERAGE

- Available for the industry's top vehicles
- Transferable between compatible makes and models

#### NIJ STANDARD 0108.01 (LEVEL IIIA) THREAT PROTECTION

- 9mm Luger 124gr FMJ 1400 +/- 50 fps • 426 +/- 15 m/s
- .44 MAG 240gr SWC GC 1400 +/- 50 fps • 426 +/- 15 m/s

#### PRODUCT DETAILS\*

- Panel weight: Less than 8 lbs
- Thickness: 0.20 in
- Areal Density: 0.88lbs/ft<sup>2</sup>

\*Coverage area differs per model to allow maximum coverage area possible



Angel Armor elevates protection to a higher level, dedicating advanced research, design and testing to the development of pioneering ballistic solutions. To meet your needs, we welcome requests to test against specific special threats.

Independently tested in accordance with NIJ standards. Full test details and reports available upon request.

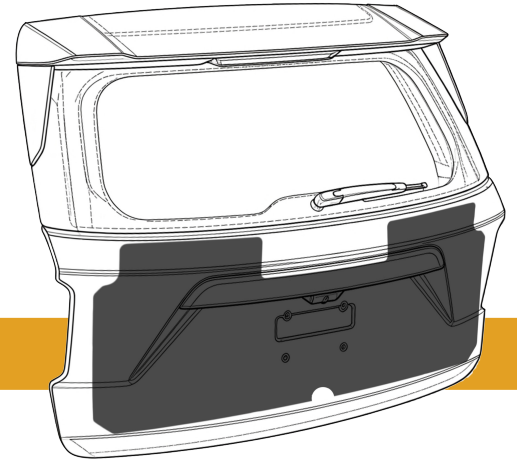
[avail@angelarmor.com](mailto:avail@angelarmor.com)

760 SE Frontage Rd  
Fort Collins, CO 80524

© 2026 Angel Armor, LLC.  
All rights reserved.

# AVAIL®

## BALLISTIC HATCH PANELS



CONFIDENCE YOU CAN STAND BEHIND®

### NIJ LEVEL IIIA

#### INNOVATIVE DESIGN

- First hatch armor solution featuring integrated MOLLE attachment platform for mounting equipment
- Designed for a compact and clean interior finish without impacting the OEM functions of the hatch
- Integrated aluminum MOLLE panel designed to hold loose gear up to 20 lbs
- Weights less than 9 pounds • 4 kg
- Semi-rigid, 0.20 inch • 0.50 cm thin panels

#### POWERFUL PROTECTION

- Unparalleled ballistic technology exceeding NIJ standards and providing critical coverage for the vehicle rear
- Multi-round defense from the most prevalent threats

#### OPTIMIZED COVERAGE

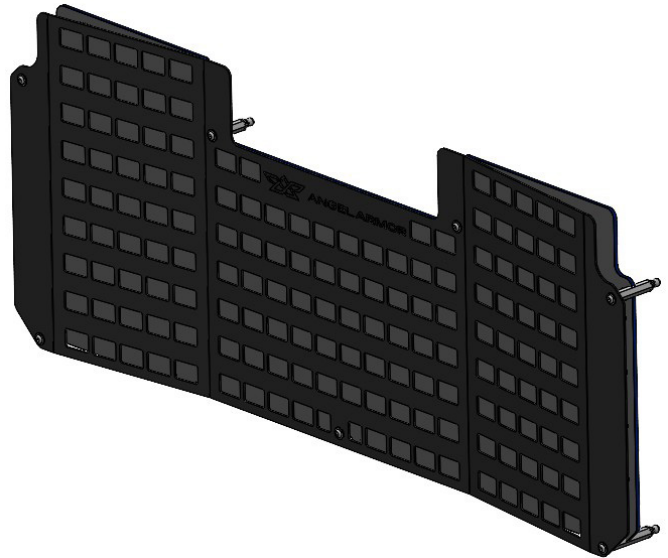
- Available for the Ford Police Interceptor Utility, with more models coming soon
- Transferable between compatible makes and models

#### NIJ STANDARD 0108.01 (LEVEL IIIA) THREAT PROTECTION

- 9mm Luger 124gr FMJ 1400 +/- 50 fps • 426 +/- 15 m/s
- .44 MAG 240gr SWC GC 1400 +/- 50 fps • 426 +/- 15 m/s

#### PRODUCT DETAILS\*

- Ballistic panel + MOLLE platform weight: Less than 9 lbs
- Ballistic panel + MOLLE platform thickness: 0.33 in
- Areal Density: 0.88lbs/ft<sup>2</sup>



Angel Armor elevates protection to a higher level, dedicating advanced research, design and testing to the development of pioneering ballistic solutions. To meet your needs, we welcome requests to test against specific special threats.

Independently tested in accordance with NIJ standards. Full test details and reports available upon request.

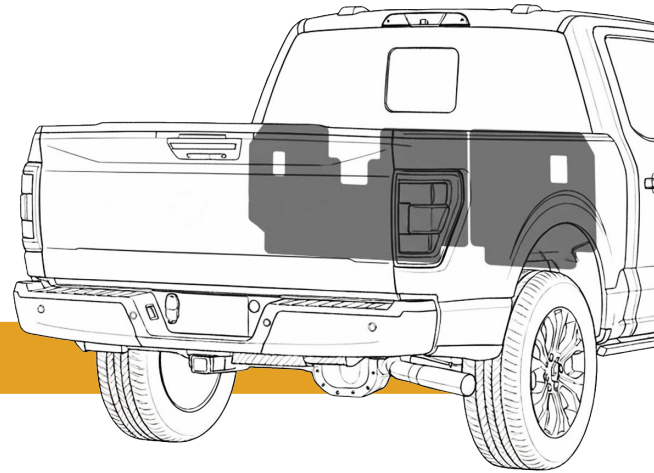
[avail@angelarmor.com](mailto:avail@angelarmor.com)

760 SE Frontage Rd  
Fort Collins, CO 80524

© 2026 Angel Armor, LLC.  
All rights reserved.

# AVAIL®

## BALLISTIC BULKHEAD PANELS



CONFIDENCE YOU CAN STAND BEHIND®

### NIJ LEVEL IIIA

#### INNOVATIVE DESIGN

- Fastest installation in the industry
- Dual-panel design, weighs less than 9 pounds • 4 kg
- Semi-rigid, 0.20 inch • 0.50 cm thin panels
- Totally concealed, weatherproof

#### POWERFUL PROTECTION

- Unparalleled ballistic technology exceeding NIJ standards and providing critical coverage for the vehicle rear
- Multi-round defense from the most prevalent threats

#### OPTIMIZED COVERAGE

- Available for the industry's top vehicles
- Transferable between compatible makes and models

#### NIJ STANDARD 0108.01 (LEVEL IIIA) THREAT PROTECTION

- 9mm Luger 124gr FMJ 1400 +/- 50 fps • 426 +/- 15 m/s
- .44 MAG 240gr SWC GC 1400 +/- 50 fps • 426 +/- 15 m/s

#### PRODUCT DETAILS\*

- Panel weight: Less than 9 lbs
- Thickness: 0.20 in
- Areal Density: 0.88lbs/ft<sup>2</sup>

\*Coverage area differs per model to allow maximum coverage area possible



Angel Armor elevates protection to a higher level, dedicating advanced research, design and testing to the development of pioneering ballistic solutions. To meet your needs, we welcome requests to test against specific special threats.

Independently tested in accordance with NIJ standards. Full test details and reports available upon request.

[avail@angelarmor.com](mailto:avail@angelarmor.com)

760 SE Frontage Rd  
Fort Collins, CO 80524

© 2026 Angel Armor, LLC.  
All rights reserved.



**WE BUILD ARMOR SOLUTIONS FOR A WIDE RANGE OF VEHICLE MAKES AND MODELS.**



**SCAN HERE TO VIEW  
THE FULL COMPATIBILITY LIST.**

