



ANGEL ARMOR®

PROTECTION AT A HIGHER LEVEL®

# AVAIL®

## VEHICLE ARMOR

CONFIDENCE YOU CAN STAND BEHIND



ANGELARMOR.COM

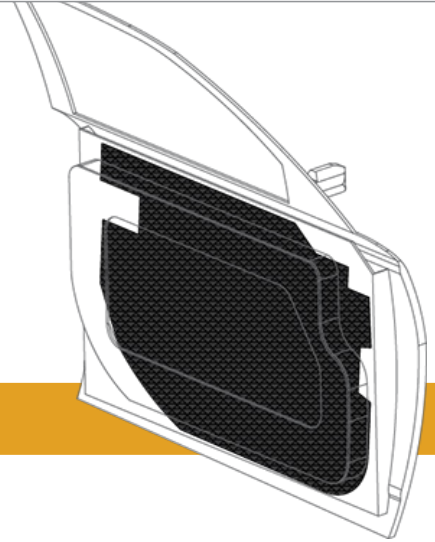
# AVAIL®

IIIA VEHICLE ARMOR



# AVAIL®

## BALLISTIC DOOR PANELS



TURN YOUR DOORS INTO SHIELDS®

### NIJ LEVEL IIIA

#### INNOVATIVE DESIGN

- Fastest installation in the industry
- Weights less than 8 pounds • 4 kg
- Semi-rigid, 0.20 inch • 0.50 cm thin panels
- Totally concealed, weatherproof design

#### POWERFUL PROTECTION

- Revolutionary ballistic technology exceeds NIJ standards
- Multi-round defense from the most prevalent threats

#### OPTIMIZED COVERAGE

- Available for the industry's top vehicles
- Transferable between compatible makes and models

#### NIJ STANDARD 0108.01 (LEVEL IIIA) THREAT PROTECTION

- 9mm Luger 124gr FMJ 1400 +/- 50 fps • 426 +/- 15 m/s
- .44 MAG 240gr SWC GC 1400 +/- 50 fps • 426 +/- 15 m/s

#### PRODUCT DETAILS\*

- Panel weight: Less than 8 lbs
- Thickness: 0.20 in
- Areal Density: 0.88lbs/ft<sup>2</sup>

\*Coverage area differs per model to allow maximum coverage area possible



Angel Armor elevates protection to a higher level, dedicating advanced research, design and testing to the development of pioneering ballistic solutions. To meet your needs, we welcome requests to test against specific special threats.

Independently tested in accordance with NIJ standards. Full test details and reports available upon request.

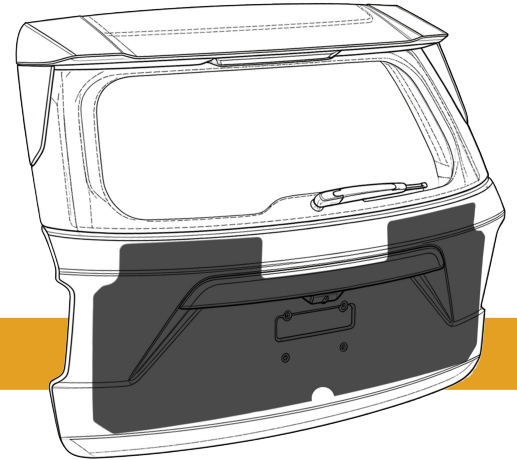
[avail@angelarmor.com](mailto:avail@angelarmor.com)

760 SE Frontage Rd  
Fort Collins, CO 80524

© 2026 Angel Armor, LLC.  
All rights reserved.

# AVAIL®

## BALLISTIC HATCH PANELS



CONFIDENCE YOU CAN STAND BEHIND®

### NIJ LEVEL IIIA

#### INNOVATIVE DESIGN

- First hatch armor solution featuring integrated MOLLE attachment platform for mounting equipment
- Designed for a compact and clean interior finish without impacting the OEM functions of the hatch
- Integrated aluminum MOLLE panel designed to hold loose gear up to 20 lbs
- Weights less than 9 pounds • 4 kg
- Semi-rigid, 0.20 inch • 0.50 cm thin panels

#### POWERFUL PROTECTION

- Unparalleled ballistic technology exceeding NIJ standards and providing critical coverage for the vehicle rear
- Multi-round defense from the most prevalent threats

#### OPTIMIZED COVERAGE

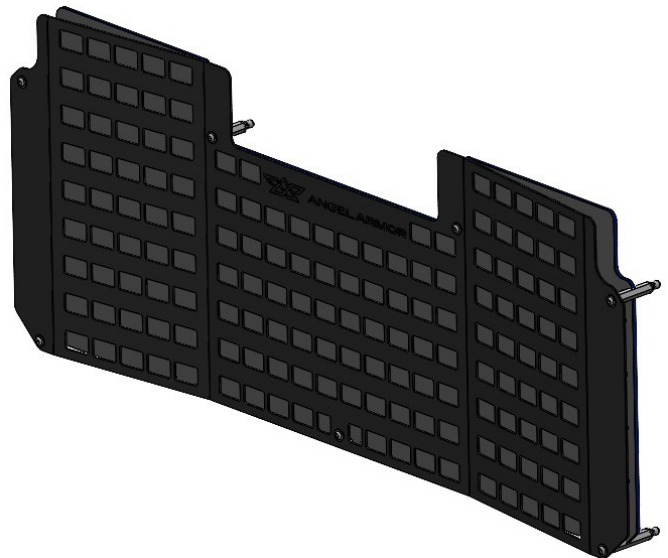
- Available for the Ford Police Interceptor Utility, with more models coming soon
- Transferable between compatible makes and models

#### NIJ STANDARD 0108.01 (LEVEL IIIA) THREAT PROTECTION

- 9mm Luger 124gr FMJ 1400 +/- 50 fps • 426 +/- 15 m/s
- .44 MAG 240gr SWC GC 1400 +/- 50 fps • 426 +/- 15 m/s

#### PRODUCT DETAILS\*

- Ballistic panel + MOLLE platform weight: Less than 9 lbs
- Ballistic panel + MOLLE platform thickness: 0.33 in
- Areal Density: 0.88lbs/ft<sup>2</sup>



Angel Armor elevates protection to a higher level, dedicating advanced research, design and testing to the development of pioneering ballistic solutions. To meet your needs, we welcome requests to test against specific special threats.

Independently tested in accordance with NIJ standards. Full test details and reports available upon request.

[avail@angelarmor.com](mailto:avail@angelarmor.com)

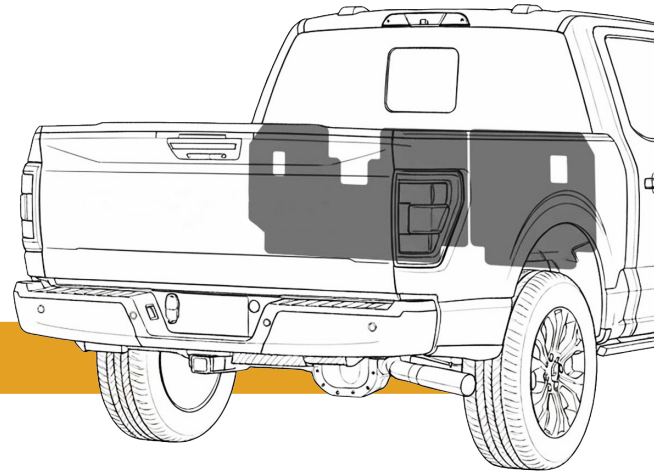
760 SE Frontage Rd  
Fort Collins, CO 80524

© 2026 Angel Armor, LLC.  
All rights reserved.

# AVAIL®

## BALLISTIC BULKHEAD PANELS

CONFIDENCE YOU CAN STAND BEHIND®



### NIJ LEVEL IIIA

#### INNOVATIVE DESIGN

- Fastest installation in the industry
- Dual-panel design, weighs less than 9 pounds • 4 kg
- Semi-rigid, 0.20 inch • 0.50 cm thin panels
- Totally concealed, weatherproof

#### POWERFUL PROTECTION

- Unparalleled ballistic technology exceeding NIJ standards and providing critical coverage for the vehicle rear
- Multi-round defense from the most prevalent threats

#### OPTIMIZED COVERAGE

- Available for the industry's top vehicles
- Transferable between compatible makes and models

### NIJ STANDARD 0108.01 (LEVEL IIIA) THREAT PROTECTION

- 9mm Luger 124gr FMJ 1400 +/- 50 fps • 426 +/- 15 m/s
- .44 MAG 240gr SWC GC 1400 +/- 50 fps • 426 +/- 15 m/s

#### PRODUCT DETAILS\*

- Panel weight: Less than 9 lbs
- Thickness: 0.20 in
- Areal Density: 0.88lbs/ft<sup>2</sup>

\*Coverage area differs per model to allow maximum coverage area possible



Angel Armor elevates protection to a higher level, dedicating advanced research, design and testing to the development of pioneering ballistic solutions. To meet your needs, we welcome requests to test against specific special threats.

Independently tested in accordance with NIJ standards. Full test details and reports available upon request.

[avail@angelarmor.com](mailto:avail@angelarmor.com)

760 SE Frontage Rd  
Fort Collins, CO 80524

© 2026 Angel Armor, LLC.  
All rights reserved.



ANGEL ARMOR®

PROTECTION AT A HIGHER LEVEL®

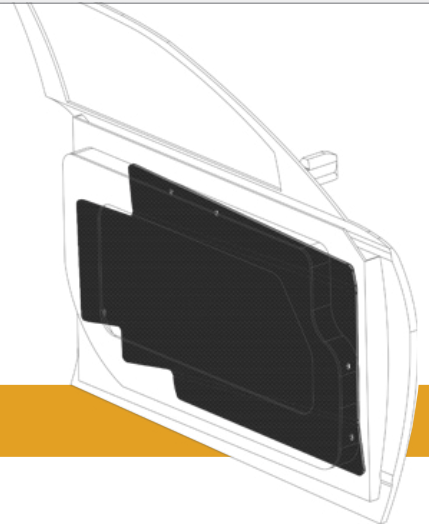
AVAIL®

III+ VEHICLE ARMOR



# AVAIL®

## BALLISTIC DOOR PANELS



REDUCE THE RISK IN HIGH RISK STOPS

NIJ LEVEL III+ M855/M193/MSC RIFLE PROTECTION

### OPTIMIZED COVERAGE

- Seamless, single-panel technology
- Concealed design doesn't interfere with internal door components

### POWERFUL PROTECTION

- Precisely engineered to defend against NIJ Level III rifle threats
- Revolutionary technology exceeds NIJ multi-round standards

### ADVANCED INNOVATION

- Proprietary one-piece design is durable, weatherproof and provides optimized coverage area
- Retention strap ensures flawless door functionality

### NIJ STANDARD 0108.01 (LEVEL III) RIFLE THREAT PROTECTION

- 7.62mm (308 Winchester) FMJ (M80) 150gr 2750 +/- 50 fps

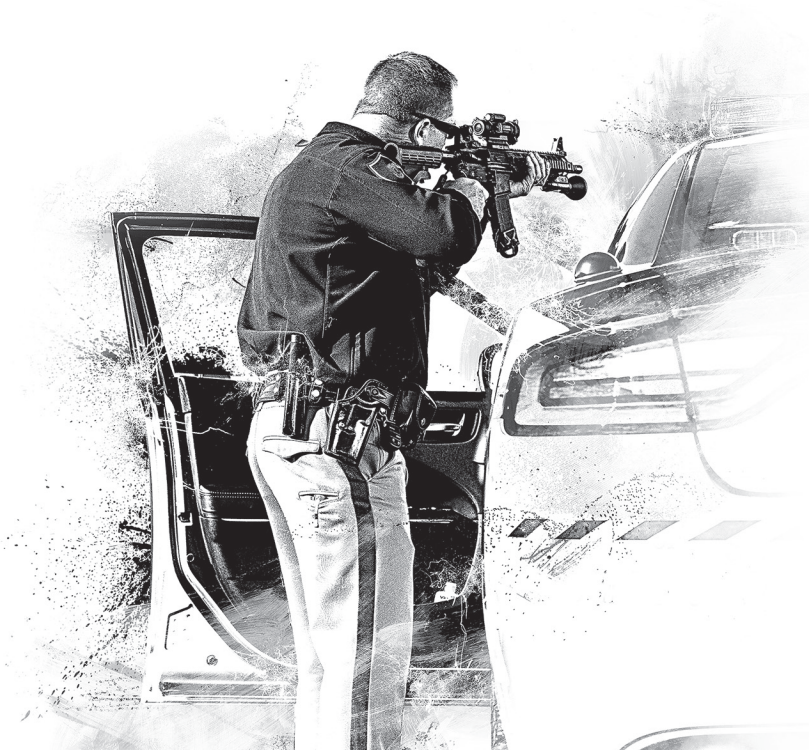
### SPECIAL THREAT PROTECTION

- 7.62 x 39mm PS BALL (MSC) @ 2380 +/- 50 fps (-725 mps)
- 5.56 x 45mm M193 @ 3200 +/- 30 FPS (-975 mps)
- 5.56 x 45mm M855 @ 3050 +/- 30 fps (-930 mps)

### PRODUCT DETAILS\*

- Panel Weight: Less than 45 lbs
- Thickness: 0.25 in
- Coverage Area: 4.25 ft<sup>2</sup>
- Areal Density: 10.2 lbs/ft<sup>2</sup>

\*Panel weight differs per model



ANGELARMOR.COM

+1 970 235 2961



Angel Armor elevates protection to a higher level, dedicating advanced research, design and testing to the development of pioneering ballistic solutions. To meet your needs, we welcome requests to test against specific special threats.

Independently tested in accordance with NIJ standards. Full test details and reports available upon request.

avail@angelarmor.com

760 SE Frontage Rd  
Fort Collins, CO 80524

© 2026 Angel Armor, LLC.  
All rights reserved.



**WE BUILD ARMOR SOLUTIONS FOR A WIDE RANGE OF VEHICLE MAKES AND MODELS.**



**SCAN HERE TO VIEW  
THE FULL COMPATIBILITY LIST.**

